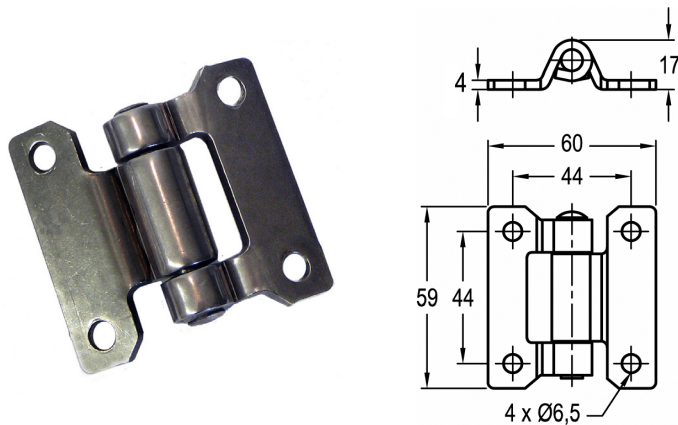
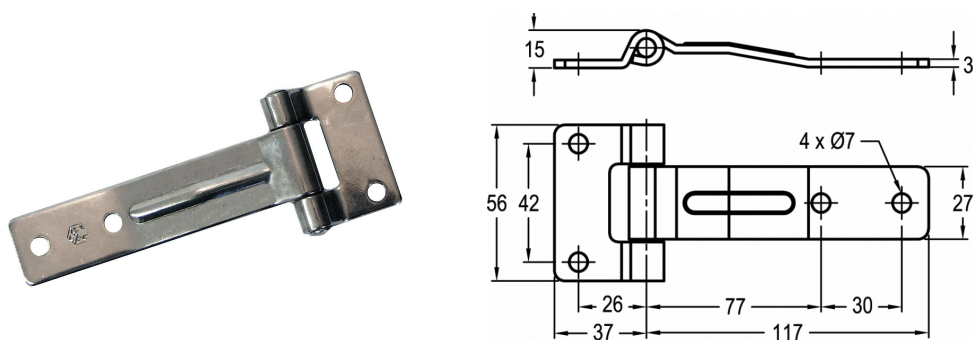


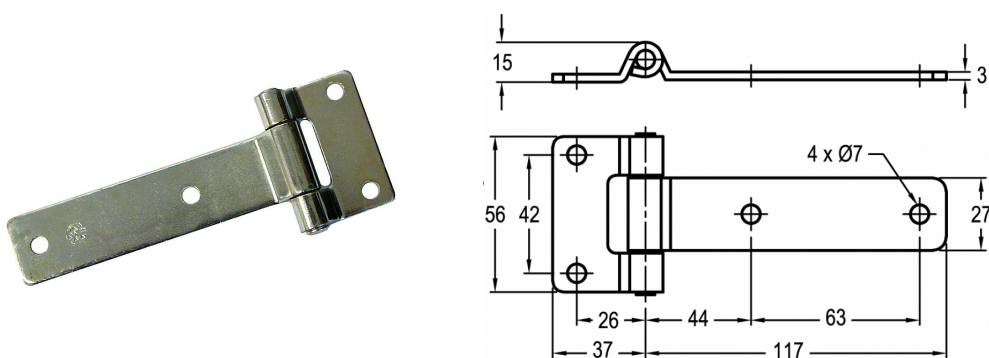
11 Hinges



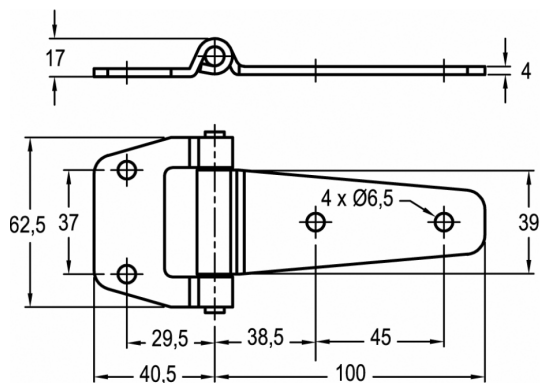
TT-number	Name	Material	Weight kg/pc
1113002.000	Hinge 60 x 59	stainless steel	0.140
1114002.000	Hinge 60 x 59	galvanized steel	



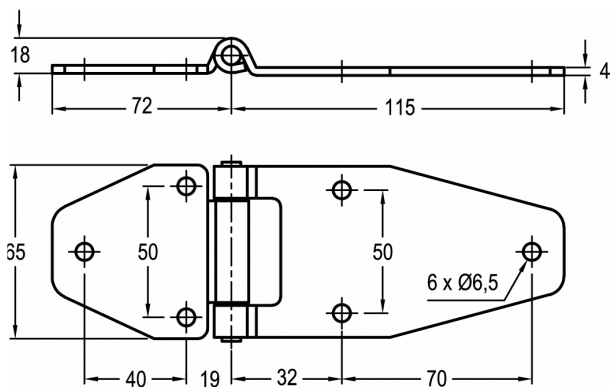
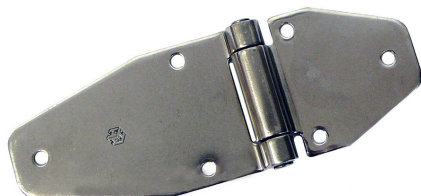
TT-number	Name	Material	Weight kg/pc
1113003.000	Hinge 117 bent	stainless steel	0.230
1114003.000	Hinge 117 bent	galvanized steel	



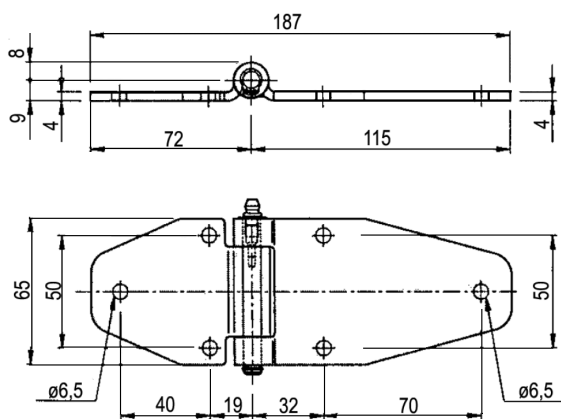
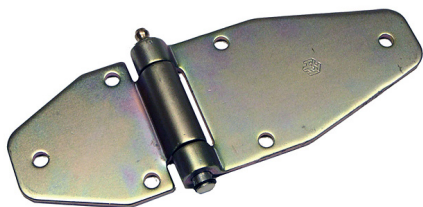
TT-number	Name	Material	Weight kg/pc
1113004.000	Hinge 117 straight	stainless steel	0.230
1114004.000	Hinge 117 straight	galvanized steel	



TT-number	Name	Material	Weight kg/pc
1113005.000	Hinge 100 straight	stainless steel	0.240
1114005.000	Hinge 100 straight	galvanized steel	

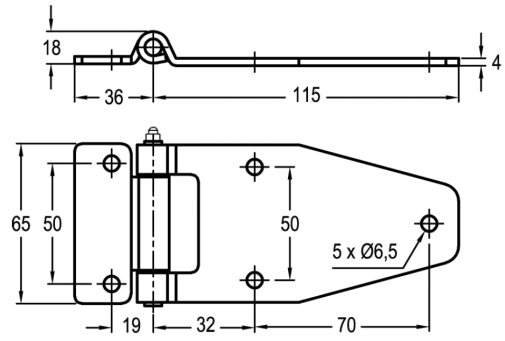


TT-number	Name	Material	Weight kg/pc
1113006.000	Hinge 115 / 72 straight	stainless steel	0.390
1114006.000	Hinge 115 / 72 straight	galvanized steel	



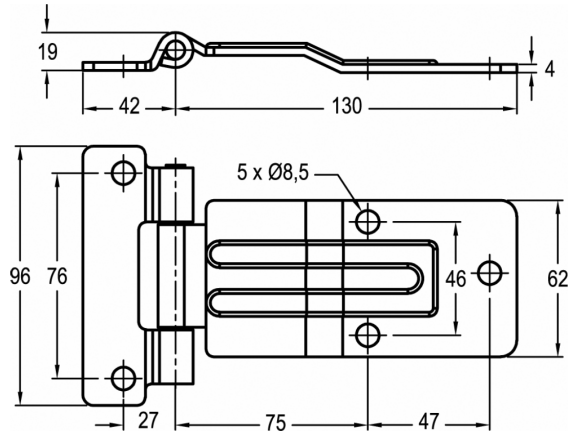
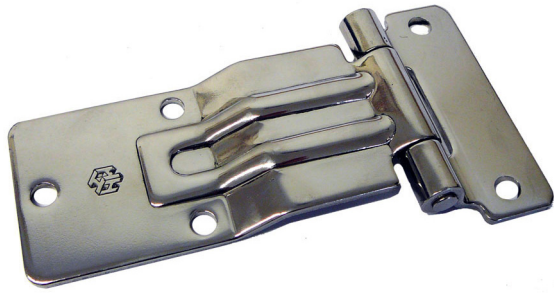
TT-number	Name	Material	Weight kg/pc
1114006.100	Hinge 115/72 straight with lubricator	galvanized steel	0.390

HINGES - 180°

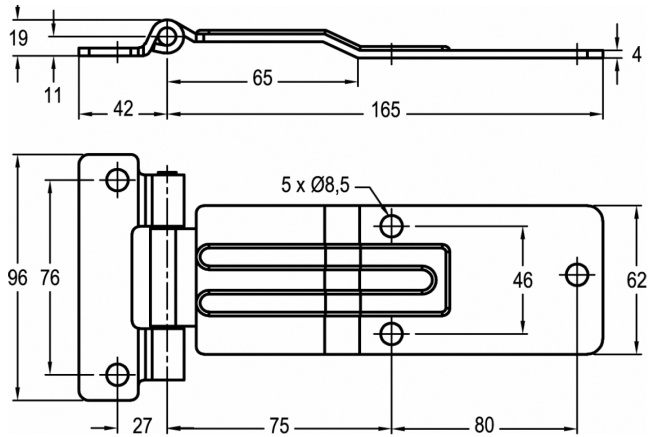
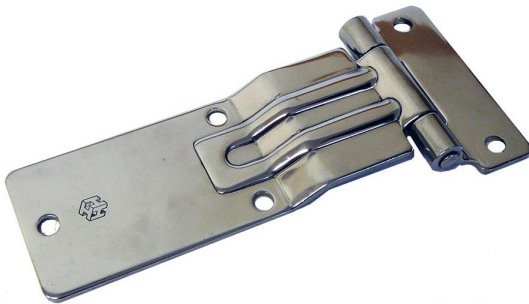


TT-number	Name	Material	Weight kg/pc
1113007.000	Hinge 115/36 straight with lubricator	stainless steel	0.340
1114007.000	Hinge 115/36 straight with lubricator	galvanized steel	

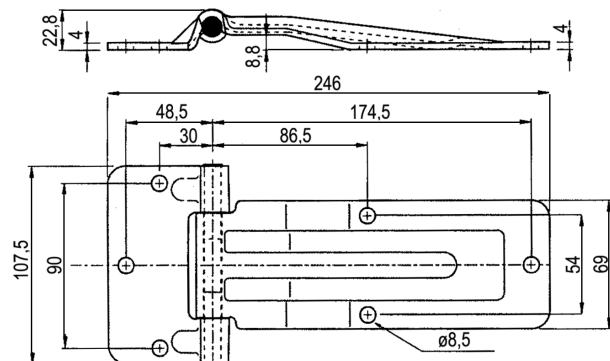
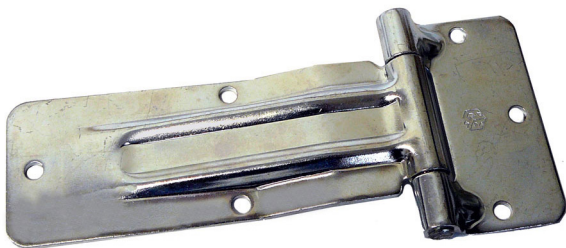




TT-number	Name	Material	Weight kg/pc
1113008.000	Hinge 130 bent	stainless steel	0.445
1114008.000	Hinge 130 bent	galvanized steel	

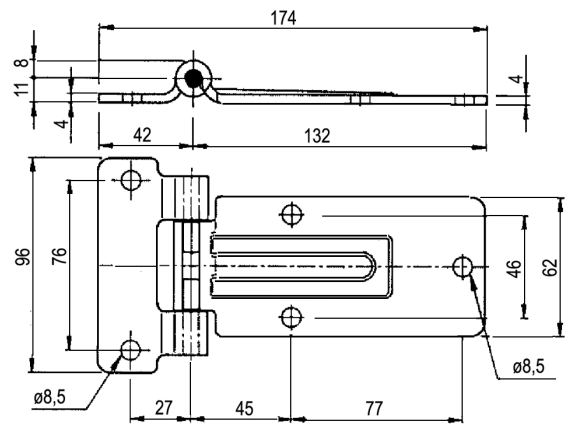
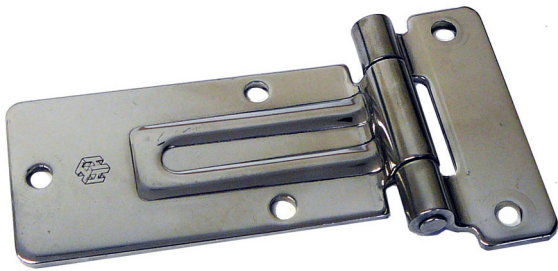


TT-number	Name	Material	Weight kg/pc
1113009.000	Hinge 165 bent	stainless steel	0.500

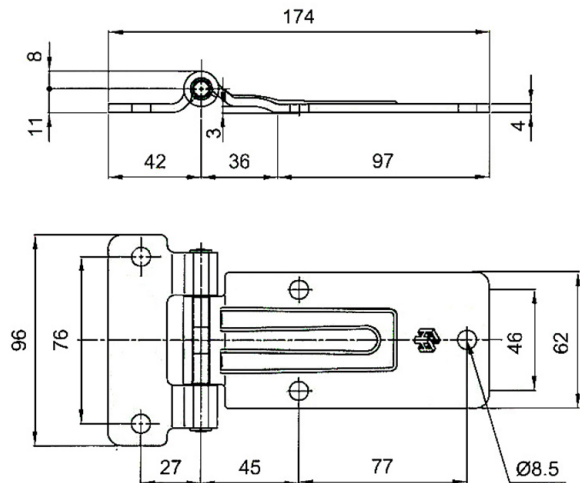
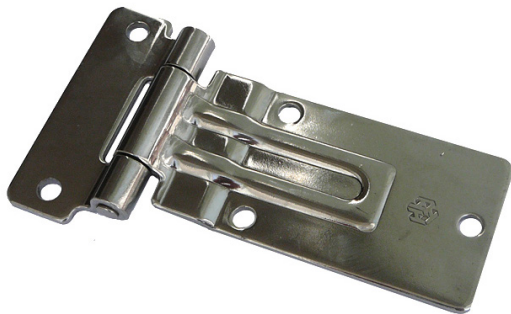


TT-number	Name	Material	Weight kg/pc
1113012.000	Hinge bent	stainless steel	0.73
1114012.000	Hinge bent	galvanized steel	

HINGES - 180°

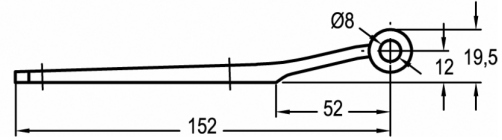
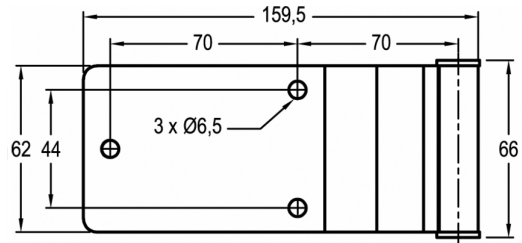
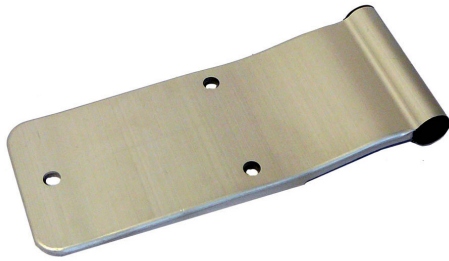


TT-number	Name	Material	Weight kg/pc
1113013.000	Hinge straight	stainless steel	0.430



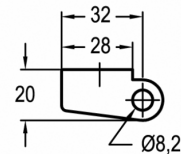
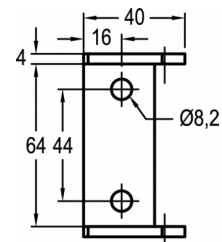
TT-number	Name	Material	Weight kg/pc
1113015.000	Hinge bent	stainless steel	0.430



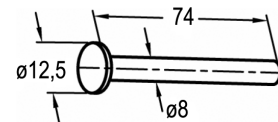


TT-number	Name	Material	Weight kg/pc
1112001.000	Sheet hinge 152	Al - anodized	0.150

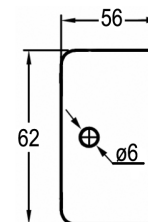
TT-number	Name	Material	Weight kg/pc
1112002.000	Hitch hinge 32 mm	stainless steel	0.080
1112003.000	Hitch hinge 32 mm	galvanized steel	

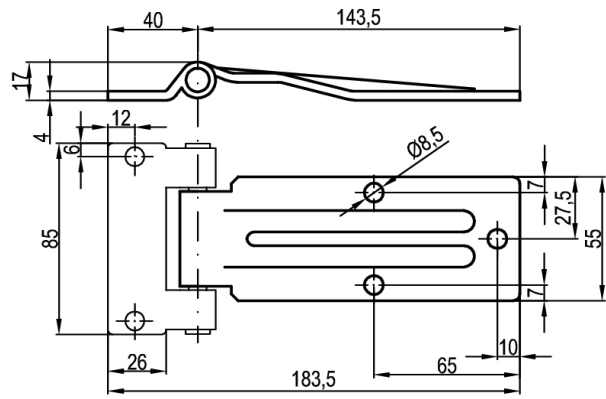


TT-number	Name	Material	Weight kg/pc
1112004.000	Hinge pin	galvanized steel	0.030

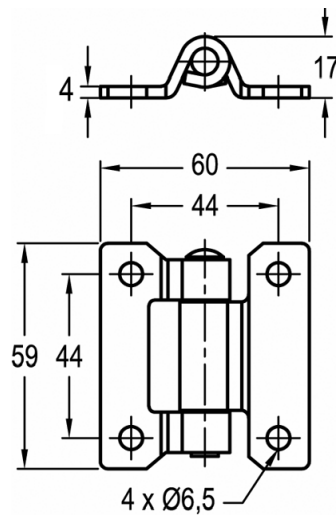
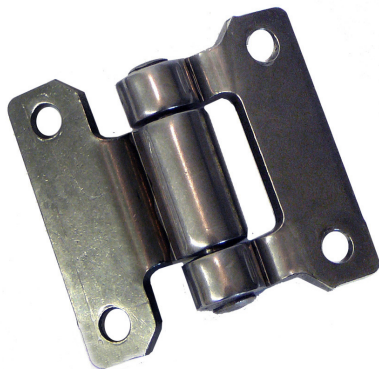


TT-number	Name	Material	Weight kg/pc
1112001.100	Washer thickness 4 mm for 1112001.000 1112001.000	plastic	0.006



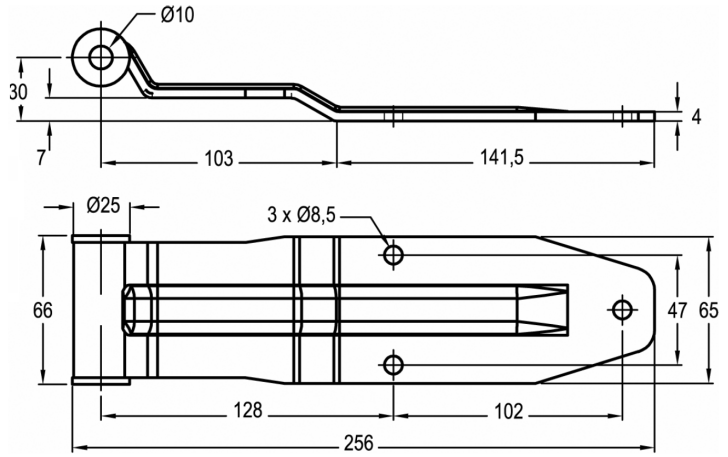


TT-number	Name	Material	Weight kg/pc
1113032.000	Hinge 144 bent	stainless steel	0.71

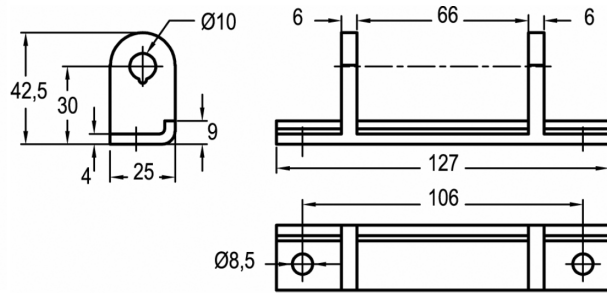
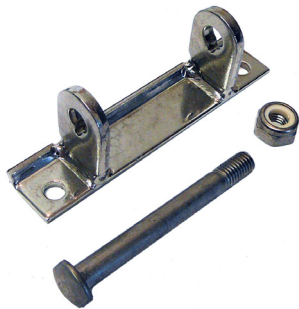


TT-number	Name	Material	Weight kg/pc
1113033.000	Hinge 60/59	stainless steel	0.15

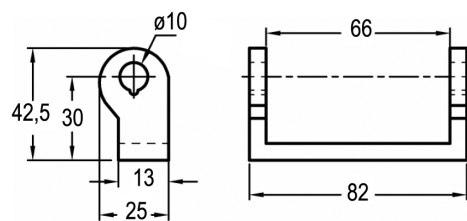




TT-number	Name	Material	Weight kg/pc	Design
1123001.000	Hinge 245 bent	stainless steel	0.580	With press-fit self-lubricating nylon sleeves
1124001.000	Hinge 245 bent	galvanized steel		

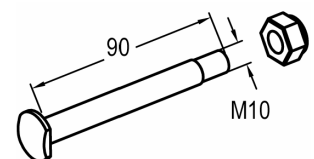


TT-number	Name	Material	Weight kg/pc	Design
1123002.000	Hitch hinge screw-in	stainless steel	0.220	With pin and nut
1124002.000	Hitch hinge screw-in	galvanized steel		

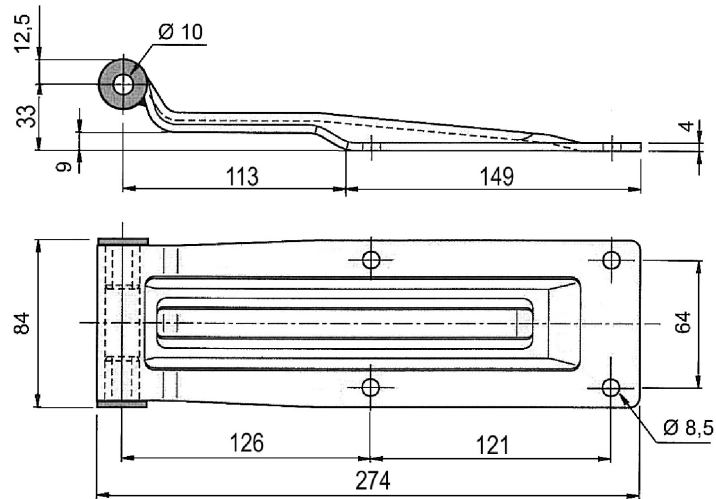


TT-number	Name	Material	Weight kg/pc	Design
1123003.000	Hitch hinge welded	stainless steel	0.220	With pin and nut
1124003.000	Hitch hinge welded	galvanized steel		

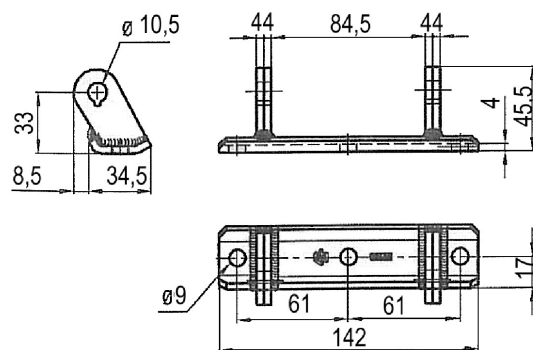
TT-number	Name	Material	Weight kg/pc
1123101.000	Hinge pin	stainless steel	0.060
1123102.000	Self-locking nut M10		0.020



HITCHES AND HINGES - 270°

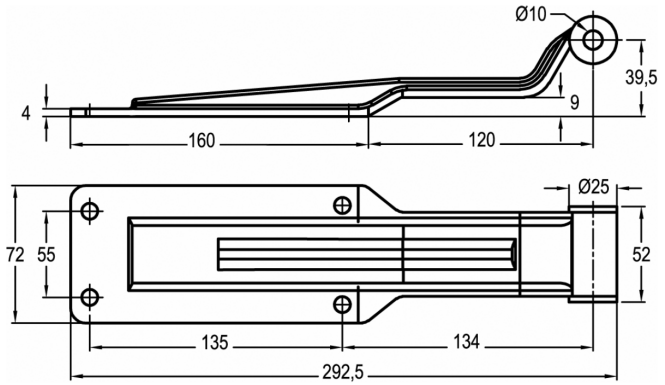


TT-number	Name	Material	Weight kg/pc
1123005.000	Sheet hinge 262	stainless steel	0.85
1124005.000	Sheet hinge 262	galvanized steel	0.85

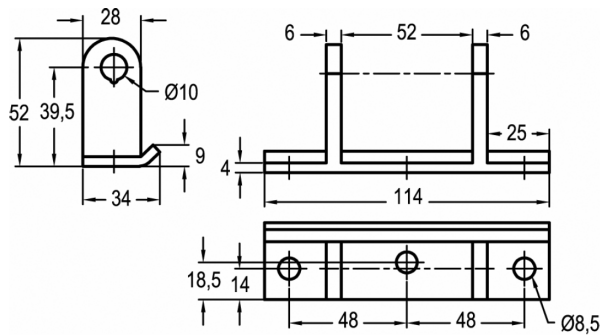
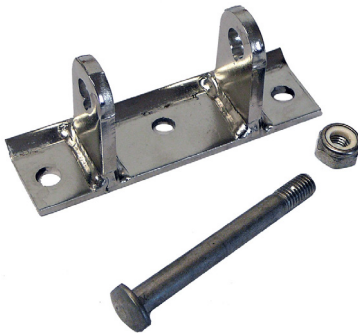


TT-number	Name	Material	Weight kg/pc
1123005.100	Hitch hinge screw-in	stainless steel	0.37
1124005.100	Hitch hinge screw-in	galvanized steel	0.37

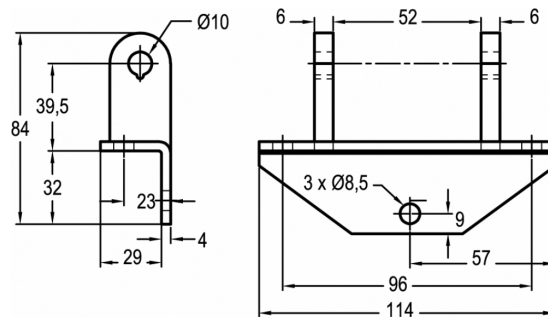
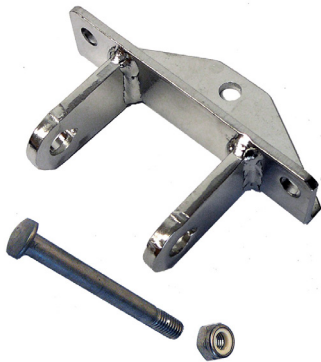




TT-number	Name Name Denumire	Material	Weight kg/pc	Design
1123010.000	Hinge 280 bent	stainless steel	0.630	With press-fit self-lubricating nylon sleeves
1124010.000	Hinge 280 bent	galvanized steel		

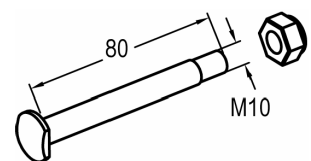


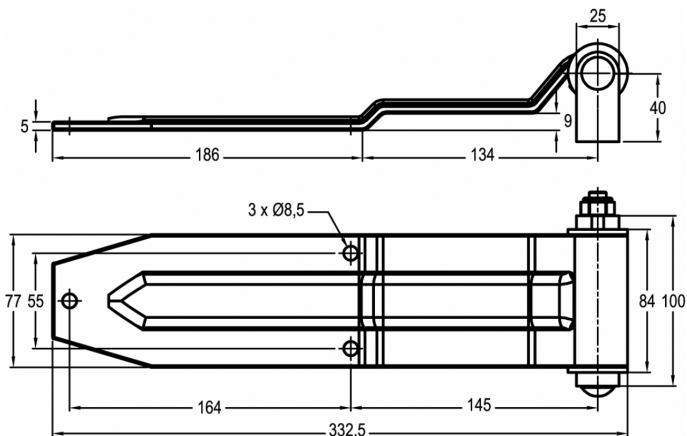
TT-number	Name	Material	Weight kg/pc	Design
1123011.000	Hitch hinge screw-in	stainless steel	0.200	With pin and nut



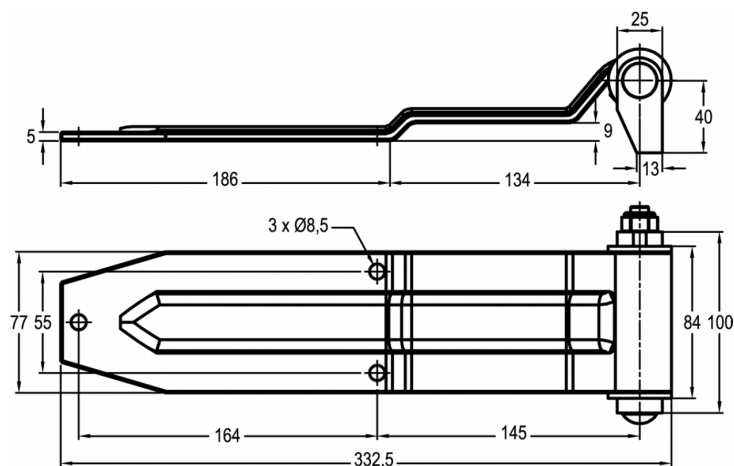
TT-number	Name	Material	Weight kg/pc	Design
1123012.000	Hitch hinge screw-in	stainless steel	0.310	With pin and nut

TT-number	Name	Material	Weight kg/pc
1123103.000	Hinge pin	stainless steel	0.060
1123102.000	Self-locking nut M10		0.020

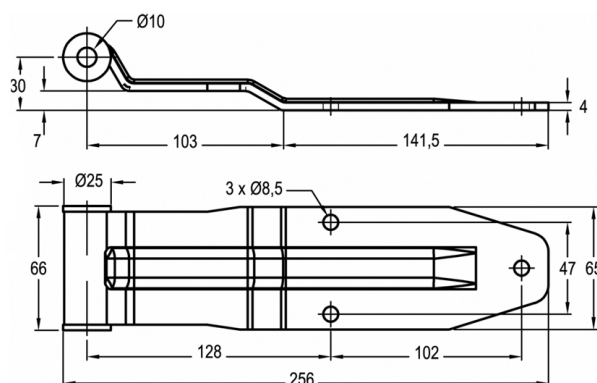




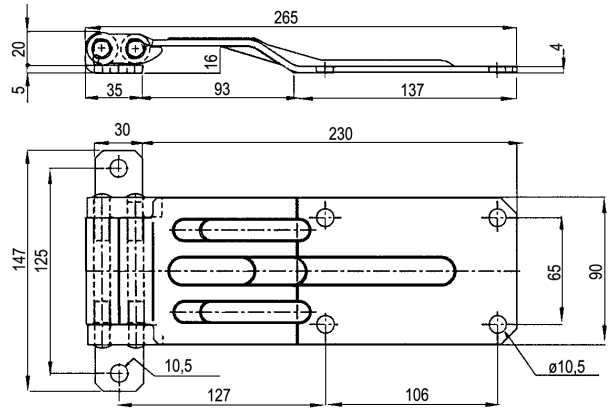
TT-number	Name	Material	Weight kg/pc	Design
1123040.000	Hinge bent, welding hitch	stainless steel	1.400	Supplied assembled
1124040.000	Hinge bent, welding hitch	galvanized steel		



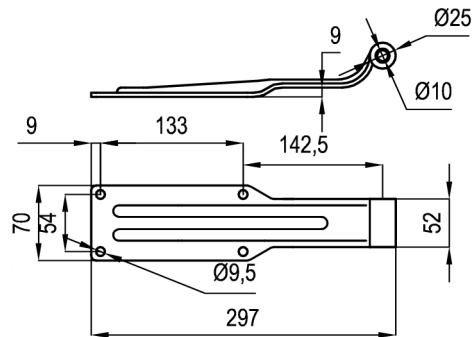
TT-number	Name	Material	Weight kg/pc	Design
1123041.000	Hinge bent, welding hitch	stainless steel	1.350	Supplied assembled
1124041.000	Hinge bent, welding hitch	galvanized steel		



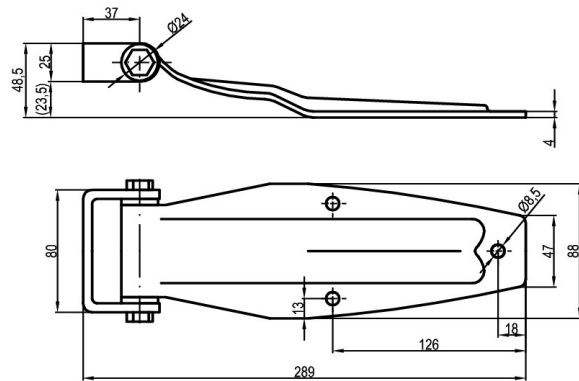
TT-number	Name	Material	Weight kg/pc	Design
1124001.000	Hinge 270° bent	galvanized steel	0.58	Hinge with press-fit self-lubricating nylon sleeves. The hinge is delivered without hitch, pin and nut.



TT-number	Name	Material	Weight kg/pc	Design
1123050.000	Hinge bent	stainless steel	1.225	Supplied assembled



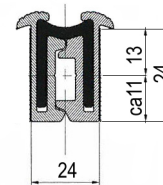
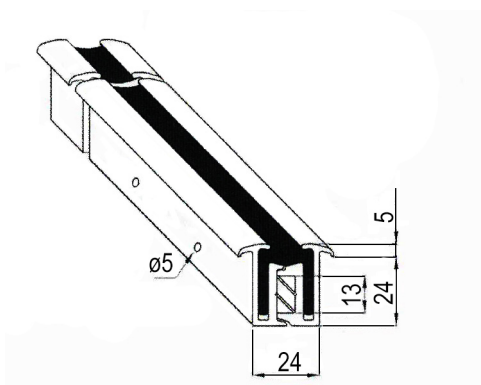
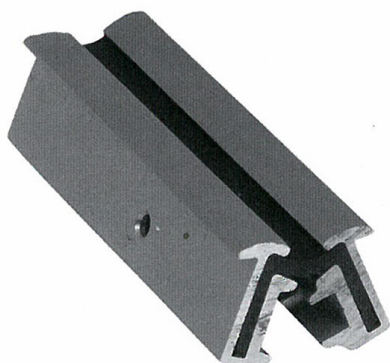
TT-number	Name	Material	Weight kg/pc	Design
1123016.000	Sheet hinge 270° bent, 280 x 72 mm	stainless steel	0.655	Hinge with press-fit self-lubricating nylon sleeves. The hinge is supplied without hitch, pin and nut.



TT-number	Name	Material	Weight kg/pc	Design
1123036.000	Hinge 270° bent, 252 x 88 mm	stainless steel	0.71	Hinge with press-fit self-lubricating nylon sleeves.

TILA - door hinge 24 / 180° construction width 24 mm, depth 24 mm

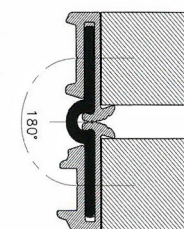
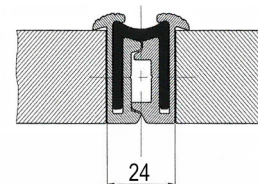
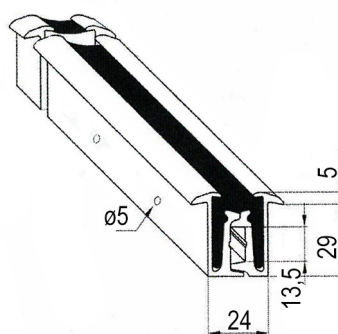
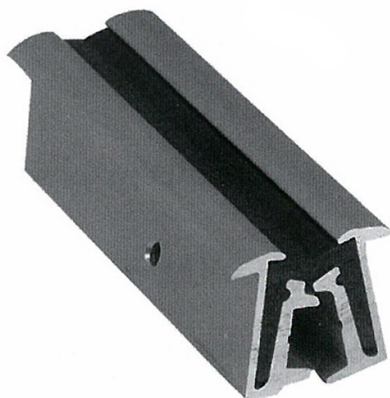
Material: Al anodized
Polyurethane plastic profile, black
Without mounting holes



TT-number	Length L mm	Mounting holes			Weight kg/pc
		Diameter	Quantity	Spacing	
1131004.240	2400	5.0	14	200	3.00
1131004.270	2700		15		3.07
1131004.320	3200		18		3.95
1131004.400	4000		22		4.49

TILA - door hitch 29 / 180° construction width 24 mm, depth 29 mm

Material: Al anodized
Polyurethane plastic profile, black
Without mounting holes



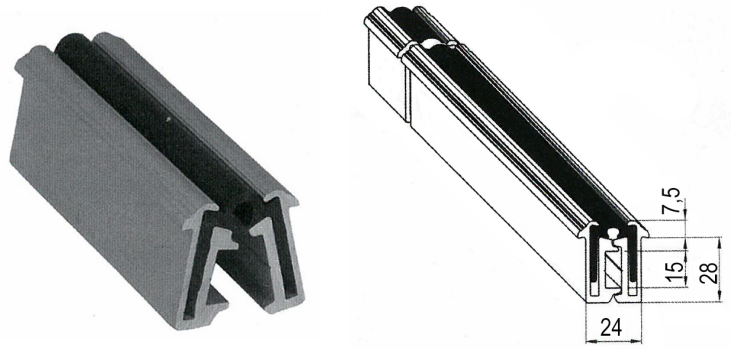
TT-number	Length L mm	Mounting holes			Weight kg/pc
		Diameter	Quantity	Spacing	
1131005.240	2400	5.0	14	200	3.63
1131005.270	2700		15		3.83
1131005.300	3000		17		4.20
1131005.320	3200		18		4.45
1131005.400	4000		22		5.60



TILA - door hitch 28 / 270°
construction width 24 mm, depth 28 mm

Material: Al anodized
 Polyurethane plastic profile, black
 Without mounting holes

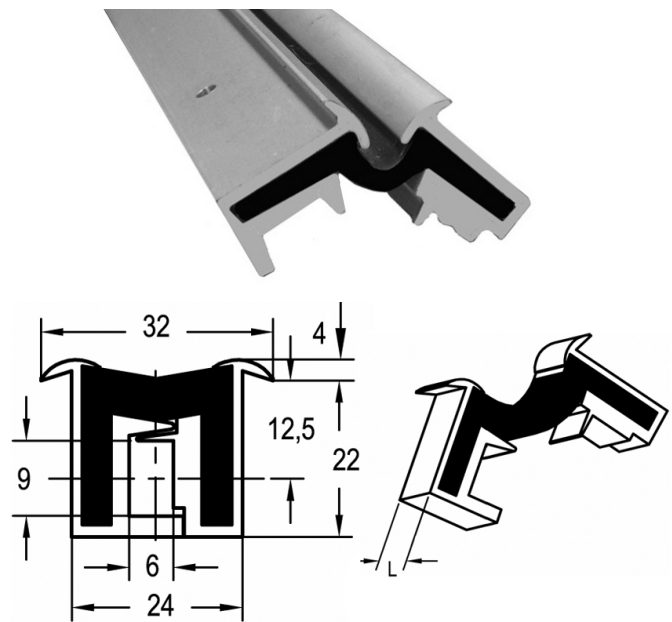
TT-number	Length L mm	Weight kg/pc
1131006.300	3000	4.30



TILA - door hitch 22 / 180°
Construction width 24 mm, depth 22 mm

Operating temperature approx. -40°C to + 80°C,
 short-term up to + 120°C
 Material: Al profile AlMgSi 0.5 anodized silver matte
 Plastic profile made of PU elastomer, black

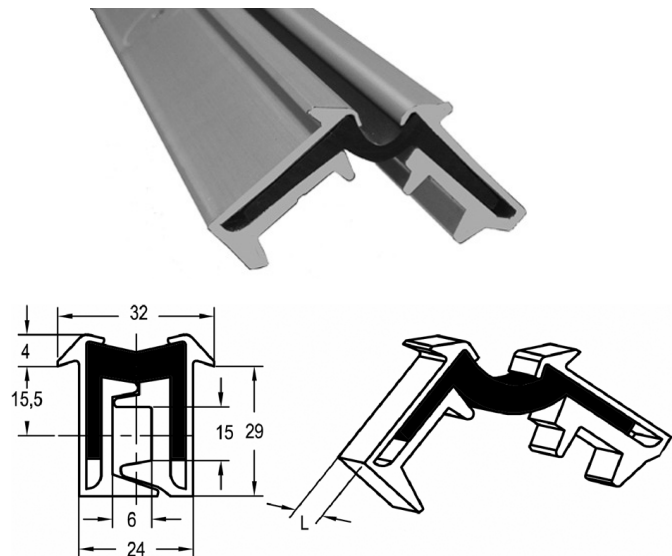
TT-number	Length L mm	Weight kg/pc
1131001.270	2700	3
1131001.240	2400	2.55



TILA - door hitch 29 / 180°
Construction width 24 mm, depth 29 mm

Operating temperature approx. -40°C to + 80°C,
 short-term up to + 120°C
 Material: Al profile AlMgSi 0.5 anodized silver matte
 Plastic profile made of PU elastomer, black

TT-number	Length L mm	Weight kg/pc
1131003.270	2700	4.1



CONTINUOUS HINGES - TILA

TILA - door hitch 29 / 270°

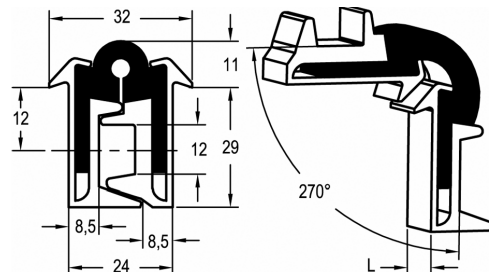
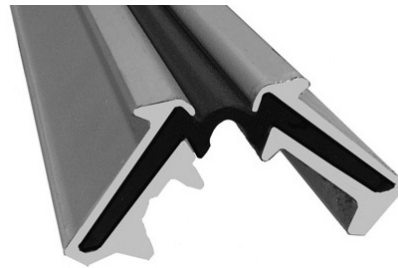
Construction width 24 mm, depth 29 mm

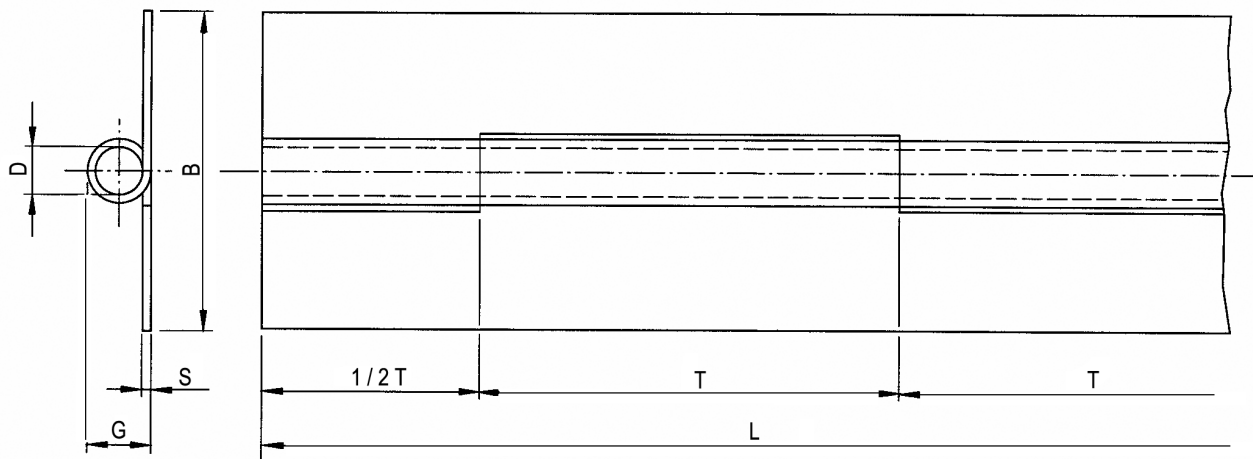
Operating temperature approx. -40°C to + 80°C,
short-term up to + 120°C

Material: Al profile AlMgSi 0.5 anodized silver matte

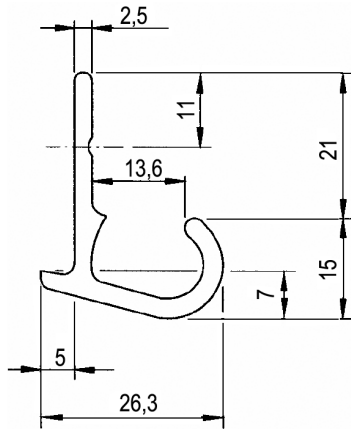
Plastic profile made of PU elastomer, black

TT-number	Length L mm	Weight kg/pc
1132001.220	2200	3.26
1132001.300	3000	4.7

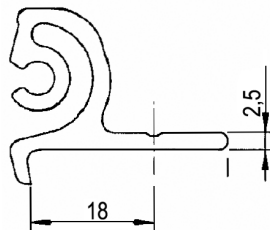




TT-number	Length L mm	Width B	Thickness with	Pin D mm	Height G mm	Dimension T mm	Material		Weight kg/m
							sheet	pin	
1133001.000	2000	60	2	6	10.5	30	Al natural	stainless steel	0.650
1133002.000	3500	45	1.25	6	9.0	60	steel	steel	0.825
1133003.000	3500	45	1.50	8	11.5	60	steel	steel	1.125
1133004.000	3500	50	1.25	6	9.0	60	steel	steel	0.875

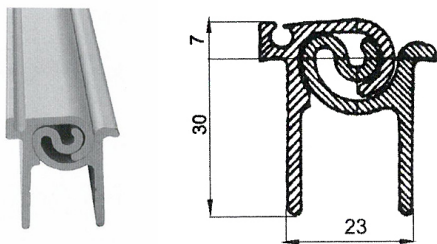


TT-number	Name	Length mm	Material	Surface	Weight kg/m
1134001.000	Al hinge 120° for frame	6000	AlMgSi 0.8	technical anodized	0.500

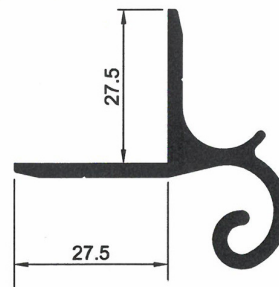


TT-number	Name	Length	Material	Surface	Weight kg/m
1134002.000	Al hinge 120° for flap	6000	AlMgSi 0.8	natural	0.600

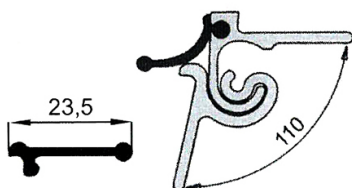
1134005.000
Continuous hinge, Al anodized, L = 4000 mm



1134009.000
Snail hinge, upper part, Al anodized, L = 5 m



1134006.000
Rubber seal for 1134005.000, (20 m roll)



1134010.000
Snail hinge, bottom part, Al anodized, L = 5 m

